

# HEXAGON HMI SERIES

10.1" Panel PC suitable for ATEX Zona 1/21



## HEXAGON<sup>10.1</sup>

Hexagon series PCL-X-10.1, are industrial Panel PC with 10.1" display suitable for use in ATEX Zone 1/21.

They are equipped with a capacitive touch screen for user interaction, a capacitive button for equipment power on and a terminal boards for Ex e/Ex i connections and contains last generation Intel® Processors for very low power consumption and very efficient heat dissipation.

PCL-X\_10.1 may optionally contain, in "Ex q" enclosure, Bluetooth or Wi-fi radiofrequency modules, whose limits of radiated power and frequency comply with requirements of EN 60079-0.



### CARATTERISTICHE TECNICHE

|   |  |
|---|--|
| <b>Installation Area</b>                | Ex Zona 1/21   |
| <b>Display</b>                          | 10.1" optically bonded to special cover glass  |
| <b>Touch-screen</b>                     | Industrial grade capacitive touch sensor, capacitive power-on button with LED  |
| <b>Processor</b>                        | Base: Intel Atom® N3350, RAM: 4 Gb, Hard Disk: 64 Gb<br>Full: Intel Atom® x6425E, RAM: 8 Gb, Hard Disk: 256 Gb   |
| <b>OS</b>                               | Windows 10® IoT Enterprise LTSC 2019   |
| <b>Connections</b>                      | Standard: 1x LAN Gb Ex e, 1 x USB Ex e, 1x RS-485 Ex e<br>Available on request: 2 x LAN 10/100Mb Ex e, 2 x USB Ex e, Bluetooth/WiFi module   |
| <b>Integrative Ex i Active Barriers</b> | 5 x D.I. channels for non-Ex push buttons (up to SIL3 in dual channel)<br>2 x D.O. channels for non-Ex (5V, 15mA) LEDs (Simple Apparatus)  |
| <b>ATEX marking</b>                     | Ex II 2(1) G Ex eb q [ia Ga] IIC T5...T4 Gb<br>Ex II 2(1) D Ex tb [ia Da] IIIC T95°C...T130°C Db IP66  |
| <b>IECEx marking</b>                    | Ex eb q [ia Ga] IIC T5...T4 Gb<br>Ex tb [ia Da] IIIC T95°C...T130°C Db IP66  |
| <b>Mechanical protection</b>            | Rugged desing, IP66 according to EN 60079-0, both front and back<br>Suitable for installation without enclosure, inside non-Ex certified enclosures or inside Ex be / Ex tb enclosures |
| <b>Materials</b>                        | Anodized aluminium, glass (pharma grade stainless steel frame on request)  |
| <b>Supply Voltage</b>                   | 24Vdc ±10%   |

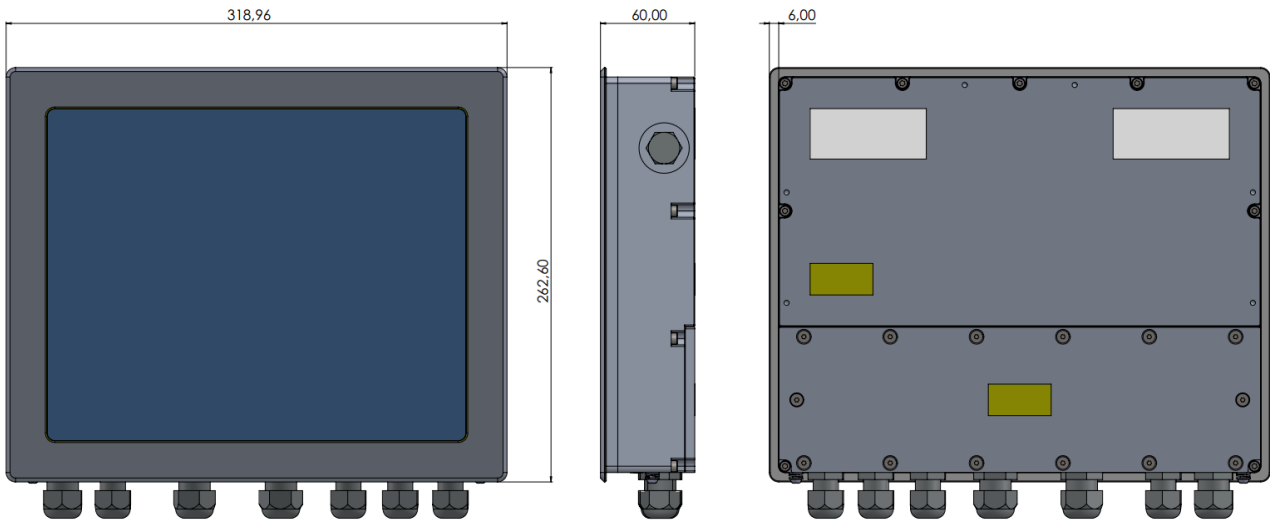
Special executions and customizations available on request.

# HEXAGON HMI SERIES

10.1" Panel PC suitable for ATEX Zona 1/2/1



## MECHANICAL DRAWING



### Panel mounting on Ex eb / Ex tb enclosure

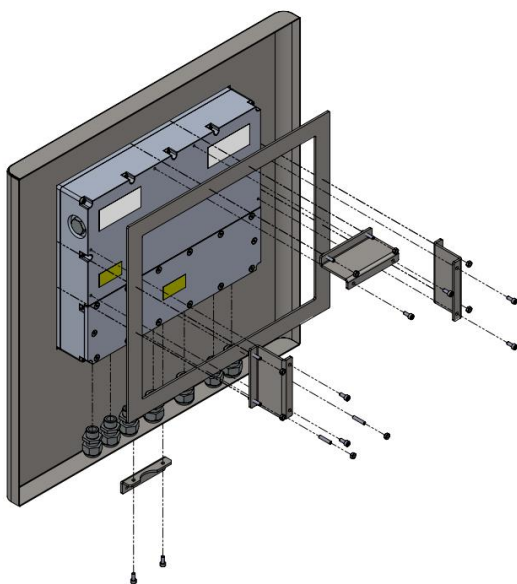
Use of mounting kit with reinforcement back frame allows installation on Ex eb / Ex tb certified cabinets. Installation can be done as well inside standard non-certified cabinet free standing.

Nominal window cut-out: 308 x 251.50 (W x H) mm

### Accessories available on request

PCL-X-10.1 can be supplied mounted inside a Stainless Steel AISI304 custom cabinet with integrated handles.

Arm mounting or foot pedestal thanks to symmetric design. Supports RITTAL CP40 stainless steel.



Special executions and customizations available on request